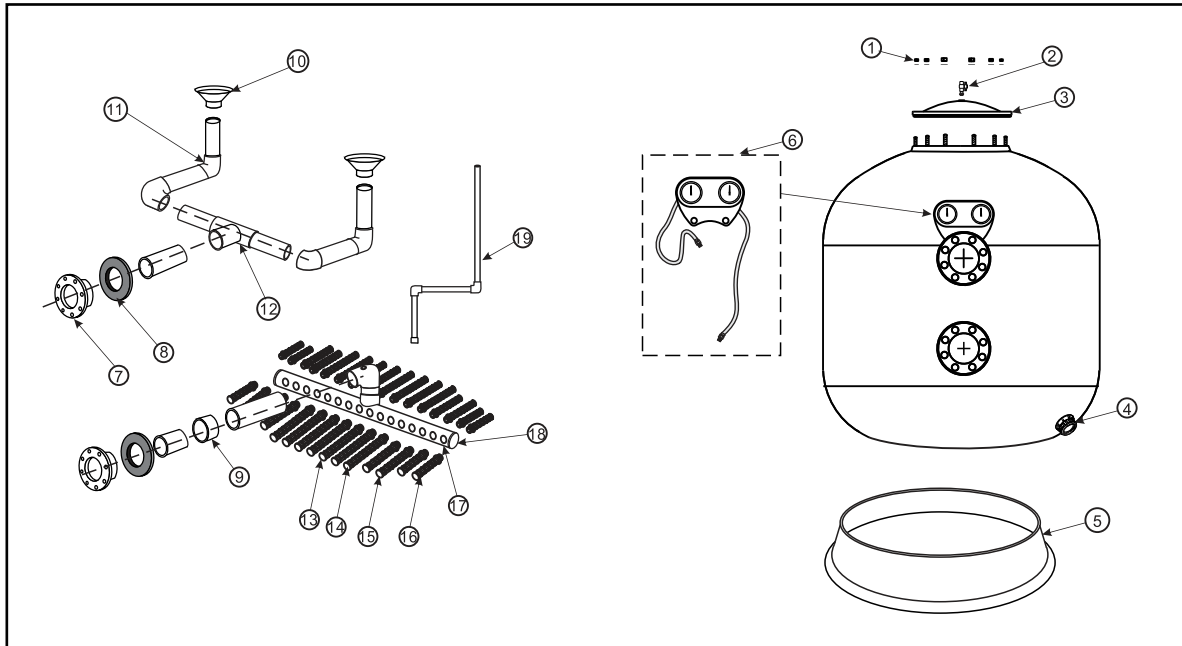
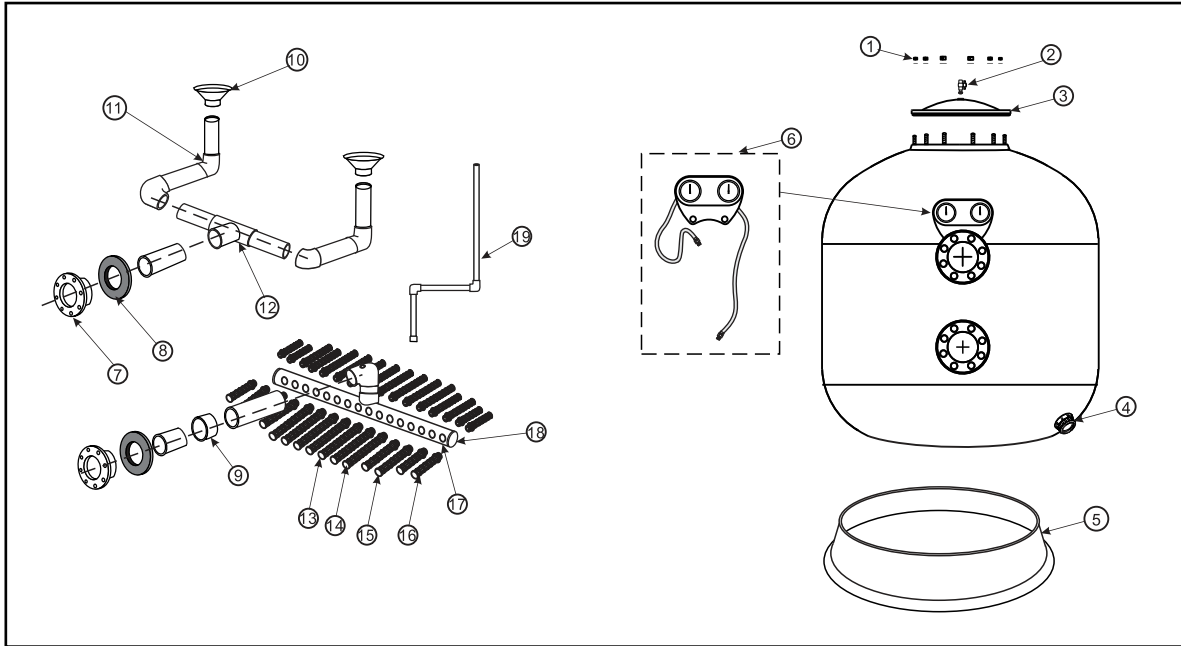


F1200



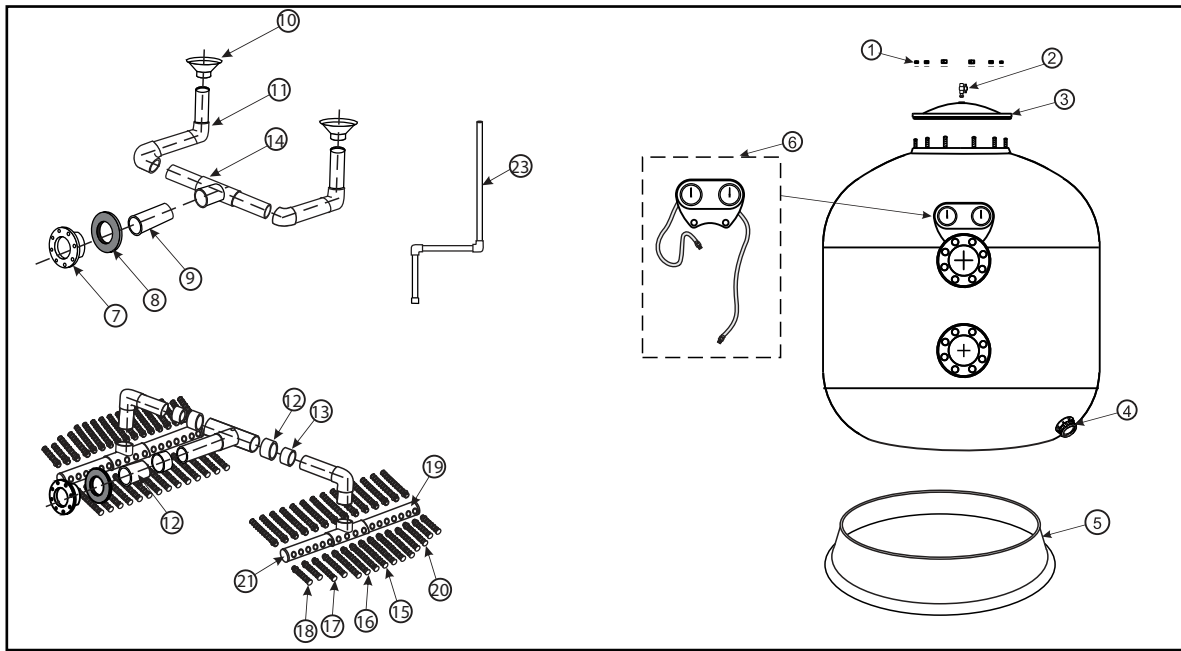
INDEX	PRODUCT	DESCRIPTION	QUANTITY	NOTE
1	30183	M12 Nut	16	
2		M12 Washer	16	
3	00127	Standard F series Lid	1	
4	70304	Water Drain Set	1	
5		Filter base	1	
6	30144	Pressure Gauge Set	1	
7	40150	Flange DN90mm	2	
8		Flange 90mm Neck Ring	2	
9	40114	Straight Pipe (90mm)	1	
10		Diffuser (90mm)	2	
11	40028	90 Degree right angle connecting pipe (90mm)	5	
12	40068	T-Connecting Pipe (90mm)	1	
13	10099	12" Lateral	2	
14	10098	10" Lateral	8	
15	10097	8" Lateral	8	
16	10096	6" Lateral	8	
17	10100	Lateral hub for F-series (26 Ports)	1	
18	10173	PVC Cap D3mm	2	
19		Air bleed pipe (20mm)	1	
20	30187	Bolt M12x55	16	
Nozle Plate System				
21	10058	Nozzle lateral		
22	10241	Nozzle Nut		
23	70515	Nozzle Plate F1200		

F1400 - F1600



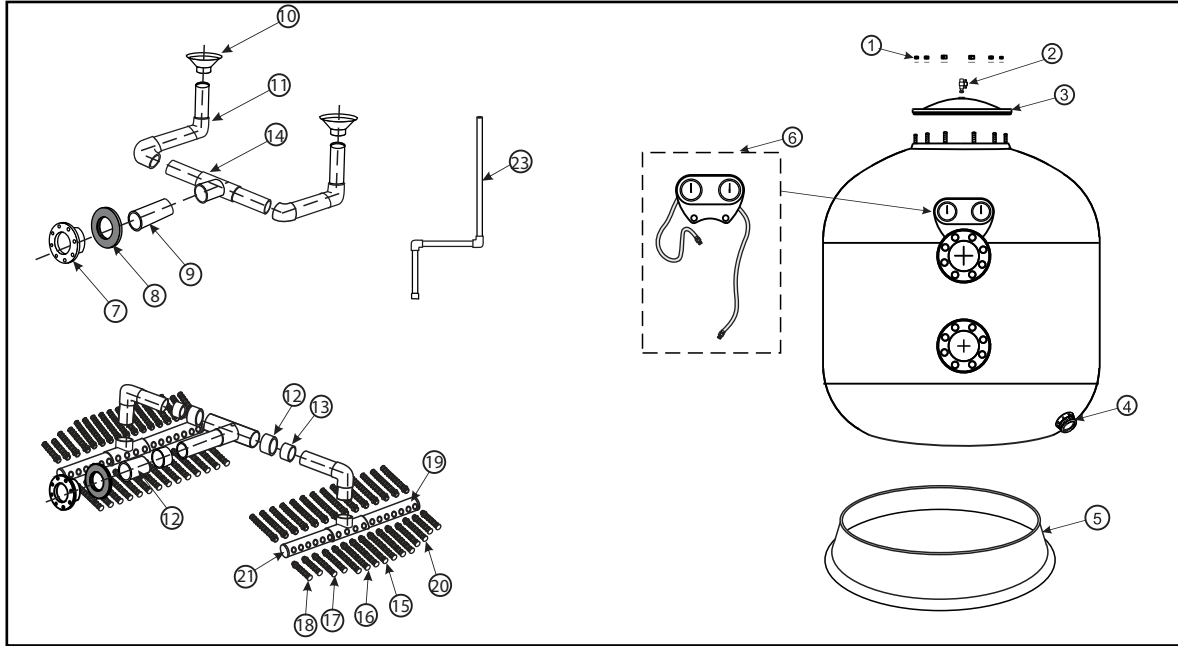
INDEX	PRODUCT	DESCRIPTION	QUANTITY	NOTE
1	30183	M12 Nut	16	
2		M12 Washer	16	
3	00127	Standard F series Lid	1	
4	70304	Water Drain Set	1	
5		Filter base	1	
6	30144	Dual Pressure Gauge Set	1	
7	40150	Flange DN90mm	2	
8		Flange 90mm Neck Ring	2	
9	40114	Straight Pipe (90mm)	1	
10		Diffuser (90mm)	2	
11	40032	90 Degree right angle connecting pipe (110mm)	5	
12	40072	T-Connecting Pipe (110mm)	1	
13	10099	12" Lateral (F1400)	2	
13	10099	12" Lateral (F1600)	10	
14	10098	10" Lateral	8	
15	10097	8" Lateral	8	
16	10096	6" Lateral	8	
17	10100	Lateral hub for F-series (26 Ports) (F1400)	1	
18	10100	Lateral hub for F-series (34 Ports) (F1600)	1	
19	10173	PVC Cap D3mm	2	
20		Air bleed pipe (20mm)	1	
21	30187	Bolt M12x55	16	
Nozzle Plate System				
22	10058	Nozzle lateral		
23	10241	Nozzle Nut		
24	70516	Nozzle Plate F1400		
25	70517	Nozzle Plate F1600		

F1800 - F2000



INDEX	PRODUCT	DESCRIPTION	QUANTITY	NOTE
1	30183	M12 Nut	16	
2		M12 Washer	16	
3	00127	Standard F series Lid	1	
4	70304	Water Drain Set	1	
5		Filter base	1	
6	30144	Pressure Gauge Set	1	
7	40174	Flange 160mm	2	
8		Flange 160mm Neck Ring	2	
9	40126	Straight Pipe (160mm)	1	
10		Diffuser (110mm)	2	
11	40032	90 Degree right angle connecting pipe (110mm)	5	
12	40311	Pipe Adaptor (110mm-140mm)	2	
13	40312	Pipe Adaptor (140mm-160mm)	2	
14	40076	T-Connecting Pipe (160mm)	2	
15	10099	12" Lateral (F1400)	2	
15	10099	12" Lateral (F1600)	10	
16	10098	10" Lateral (F1800)	42	
16	10098	10" Lateral (F2000)	46	
17	10097	8" Lateral	8	
18	10096	6" Lateral	8	
19	10100	Lateral hub for F-series (12 Ports) (F1800)	1	
19	10100	Lateral hub for F-series (14 Ports) (F2000)	4	
20	40072	T-Connecting Lateral Hub (8 Ports)	2	
21	10173	PVC Cap D3mm	4	
22		Air bleed pipe (20mm)	1	
23	30187	Bolt M12x55	16	
Nozle Plate System				
24	10058	Nozzle lateral		
25	10241	Nozzle Nut		
26	70516	Nozzle Plate F1800		
27	70517	Nozzle Plate F2000		

F2350 - F2500



INDEX	PRODUCT	DESCRIPTION	QUANTITY	NOTE
1	30183	M12 Nut	16	
2		M12 Washer	16	
3	00127	Standard F series Lid	1	
4	70304	Water Drain Set	1	
5		Filter base	1	
6	30144	Pressure Gauge Set	1	
7	40182	Flange 200mm	2	
8		Flange 200mm Neck Ring	2	
9	40126	Straight Pipe (200mm)	2	
10		Diffuser (110mm)	4	
11	40032	90 Degree right angle connecting pipe (110mm)	6	
12	40092	Pipe Adaptor (110mm-200mm)	2	
13	40076	Pipe Adaptor (160mm-200mm)	2	
14	40080	T-Connecting Pipe (200mm)	2	
15	10099	12" Lateral (F2350)	60	
15	10099	12" Lateral (F2500)	64	
16	10098	10" Lateral (F2350)	12	
16	10098	10" Lateral (F2500)	16	
17	10097	8" Lateral	8	
18	10096	6" Lateral	8	
19	10100	Lateral hub for F-series (18 Ports) (F2350)	4	
19	10100	Lateral hub for F-series (20 Ports) (F2500)	4	
20	40072	T-Connecting Lateral Hub (8 Ports)	2	
21	10173	PVC Cap D3mm	4	
22		Air bleed pipe (20mm)	1	
23	30187	Bolt M12x55	16	
Nozzle Plate System				
24	10058	Nozzle lateral		
25	10241	Nozzle Nut		
26	70516	Nozzle Plate F1800	1	
27	70517	Nozzle Plate F2000	1	