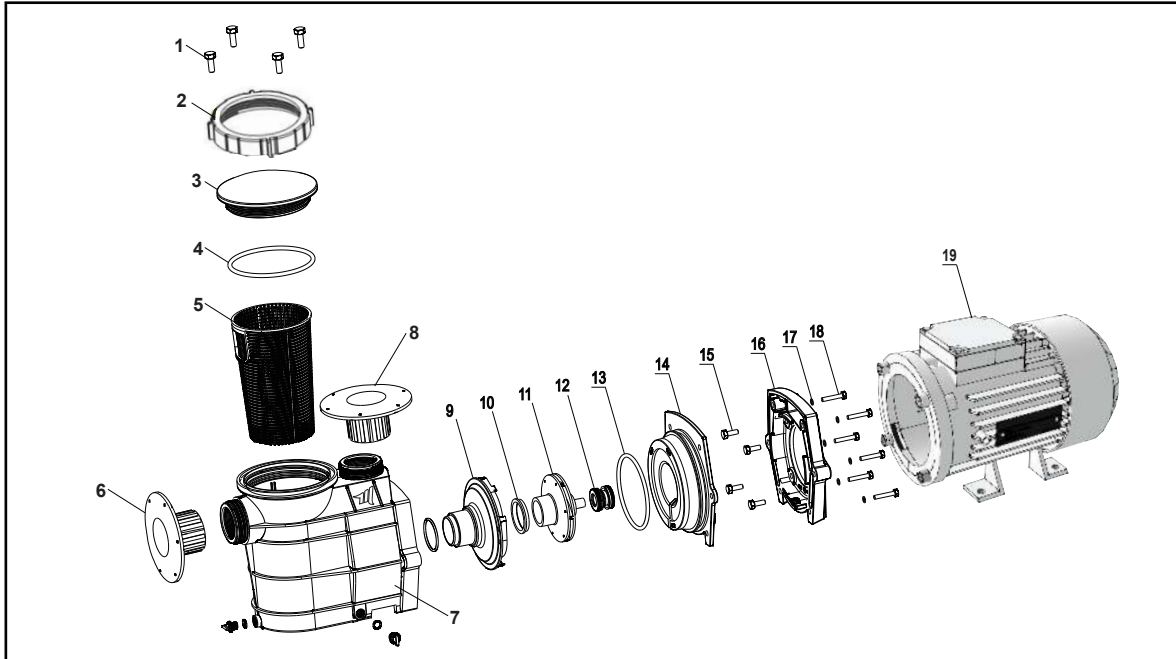


# MRB 300 / 300B / 400 / 500 / 750



INDEX	PRODUCT	DESCRIPTION	QUANTITY	NOTE
1		Nut	4	
2		No. 2	1	
3		Transparent Lid	1	
4		Union O-ring	1	
5		Strainer Basket	1	
6		Flange	1	
7		Body	1	
8		Flange	1	
9		Diffuser	1	
10		Seperator	1	
11		Impeller (MRB 300 )	1	
11		Impeller (MRB300B)	1	
11		Impeller (MRB400)	1	
11		Impeller (MRB500)	1	
11		Impeller (MRB750)	1	
12		Mechanical Seal	1	
13		O-ring for Flange	1	
14		Pump Flange	1	
15		Bolt	4	
16		Wet-end Cover	1	
17		Nut	6	
18		Bolt	6	
19		Motor	1	