



SUPA CYCLONE
MVP SERIES PUMP



Features & Advantages

- **Convenient** – SUPA CYCLONE™ pumps come with a tool-free strainer lid for easy removal of leaves.
- **Reliable** – Constructed from strong engineered plastic to ensure corrosive and UV proof for long-lasting life.
- **Safe** – Built-in thermal overload protection against damage from overheating
- All models come with 1.5" (Imperial) /50mm (Metric) traditional union.
- **Self-priming** at 2m
- Enclosure Class is IP55 & Insulation Class is F

Warranty

Pump	2 years
O-ring and Mechanical Seal	1 year

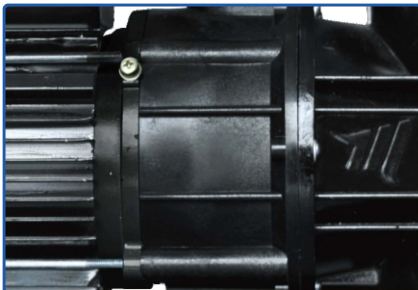
SUPA CYCLONE™ pump series is a cost effective solution for water circulation. They have all the necessary performance for domestic pools and are engineered for easy installation and worry free operation.

Operating Limits

Model	
Maximum water temperature	50°C
Maximum Ambient Temperature	50°C
Noise at 1 meter	65 dB

Application

- Domestic pools
- Spa jet operation
- Solar pool heating
- Water features



High performance induction motor

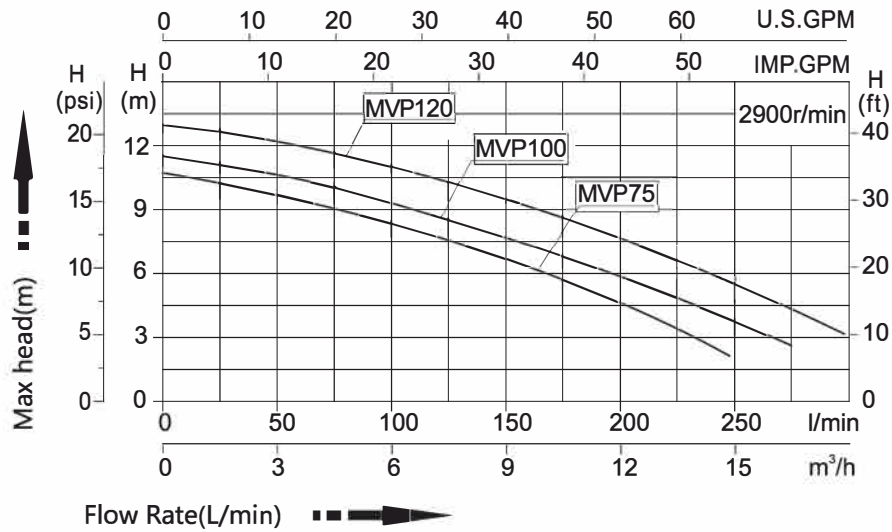


High performance induction motor



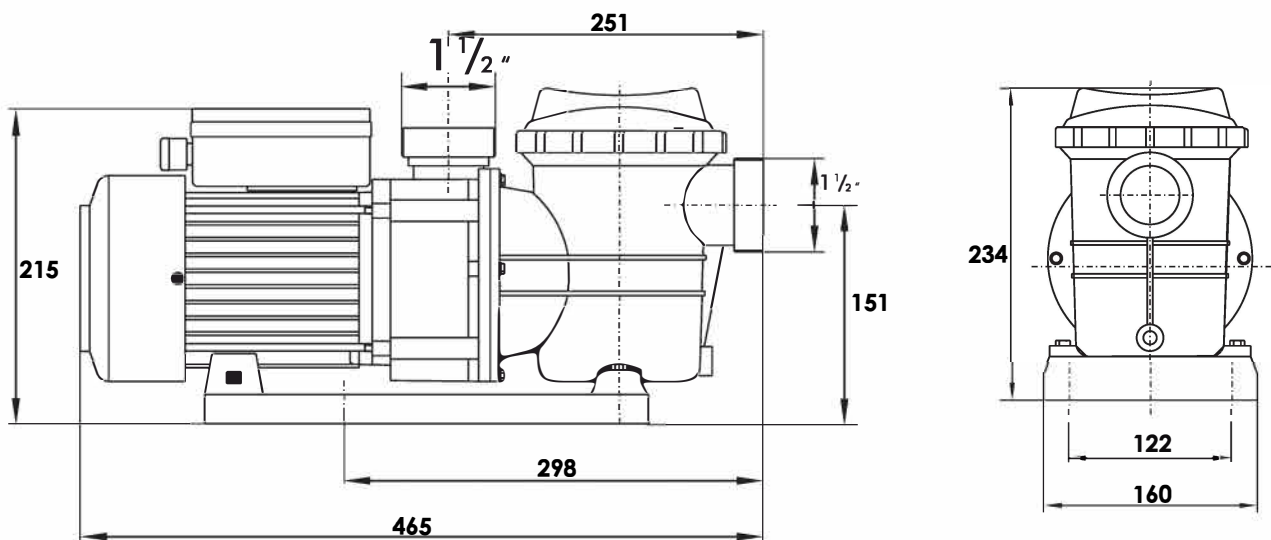
Transparent Lid with easy removable strainer

Technical Specification



Model	Code	Union Connection Size		Voltage V	Phase	Frequency Hz	Amperage A	Input Power kw	Output Power HP	RPM
		Imperial	Metric							
MVP050	90992						2.8	0.51	0.5	
MVP075	90993	1.5"	50mm	220 - 240	1	50 / 60	3.2	0.55	0.75	2850
MVP100	90994									

Dimensions (mm)





Printed in Australia
By BPA

Distributed internationally by Minder Water Industries Sdn. Bhd. All rights reserved 2018.
Distributed in Australia by Minder Water Industries Pty. Ltd.
Distributed in China by Minder Water Industries (Canton) Co. Ltd.
Distributed in South-East Asia by Minder Water Industries Sdn. Bhd.