



***MODEL: MIBS/MIBL***

**Underground Complete Filtration System**



**Installation Manual**

# MIBS/MIBL

## Index

- ◆ **Product Introduction** . . . . . 2
- Outline. . . . . 2
- Features of function . . . . . 2
- Technical Parameters . . . . . 2
- Product Image (MIBS) . . . . . 3
- External Chart (MIBS ). . . . . 3
- Product Image (MIBL) . . . . . 4
- External Chart (MIBL) . . . . . 4
- ◆ **Installation and operation instructions** . . . . . 5
- Installation Steps . . . . . 5
- Help . . . . . 6
- Notes . . . . . 6
- ◆ **Warranty Description** . . . . . 6
- Warranty period . . . . . 6
- Warranty range . . . . . 6
- Non-warranty range . . . . . 6

### ● Installation instructions

1. After Installation complete and start to using please put the cover on.
- 2.Through power control daily operation
3. Turn off the power and water before maintenance; replace equipment inside. the case was available.
4. The service life of filtration case was 5 to 10 years, others can be replace . According to required

### ● Notes

1. Read instructions carefully before operating this unit;
2. Please check each equipment before installation;
3. Please Installed in accordance with construction drawings;
4. Make sure smooth drainage before start to use;
5. Do not stand on or pressing to cover, it is better to make mark for noticed people.
6. Handle with care

### ◆ Warranty Description

#### ● Warranty period

The filtration case is guaranteed for two year.

#### ● Warranty range

We will provide free repair during the guarantee period, if there are quality issues happens by non-artificial damage which verify by designated technician.

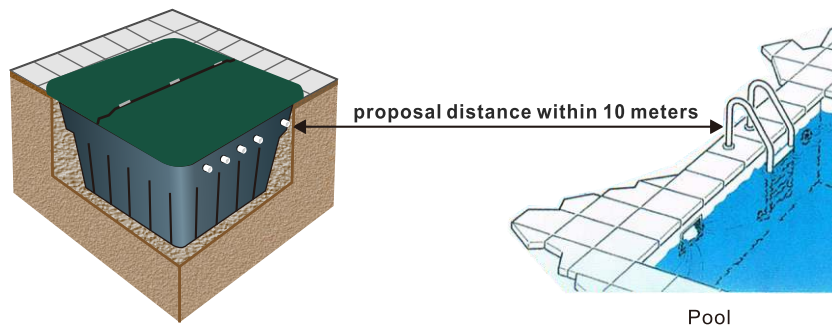
#### ● Non-warranty range

- 1.Artificial damage, unusual breaks and disaster.
- 2.Accidental damage by mistake.
- 3.Modify any part of equipment without authorization.
- 4.Out of accordance with instructions to operate.

## ◆ Installation and operation instructions

### ● Installation Steps (Figure 1)

1. Select locations for installation according to actual position of swimming pool (proposal distance within 10 meters)
2. Please match each position of swimming pool water part and pipe size.
3. Select locations for installation according to engineering drawing. Make a concrete baseboard Which has bearing capacity over 5t/m<sup>2</sup>. Make sure the machine case straight and level. Keep the top surfaces of machine case and swimming pool water at the same level.
4. Please Installed in accordance with construction drawings, make sure each position of water port. (Advise ask for relational production from manufactory and install by professional engineering Company for swimming pool)
5. After installation complete, fill in water to make a leak test and then connect each power supply wire.
6. Start equipment after the final check.



— Fig.1 —

Underground Complete Filtration System, short for "Underground case" which been research and development by our company is adopted advanced techniques. The main material is non-toxic superior resin which made by Dutch "DSM" the top-three brand in the world. This system is in the nature of easy installation and maintenance, effective performance, serviceable and credible, space and money saving and so on.

## ◆ Product Introduction

### ● Outline

Underground Complete Filtration System, short for "Underground case" which been research and development by our company is adopted advanced techniques. The main material is non-toxic superior resin which made by Dutch "DSM" the top-three brand in the world. This system is in the nature of easy installation and maintenance, effective performance, serviceable and credible, space and money saving and so on.

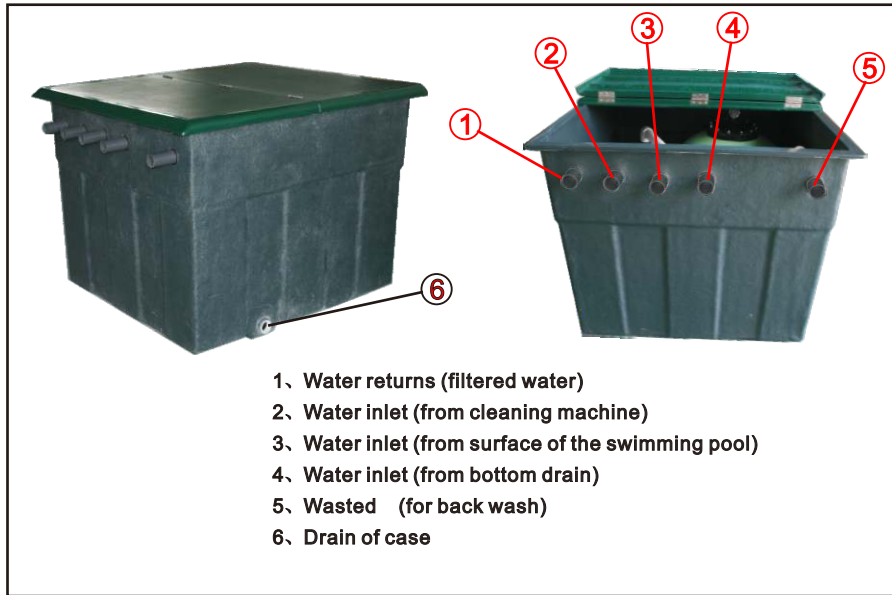
### ● Features of function

1. Completely replaced the clumsy and exorbitant traditional machine room by the simple and practical design
2. Well resolved drainage problems through the special piping laying
3. Selected the best materials, with excellent workmanship, durable and corrosion resistance
4. Reasonable internal structure and exterior design, thus easy installation
5. Entirely able to load the complete filtration system, with safety and stable in operation, Minimal maintenance

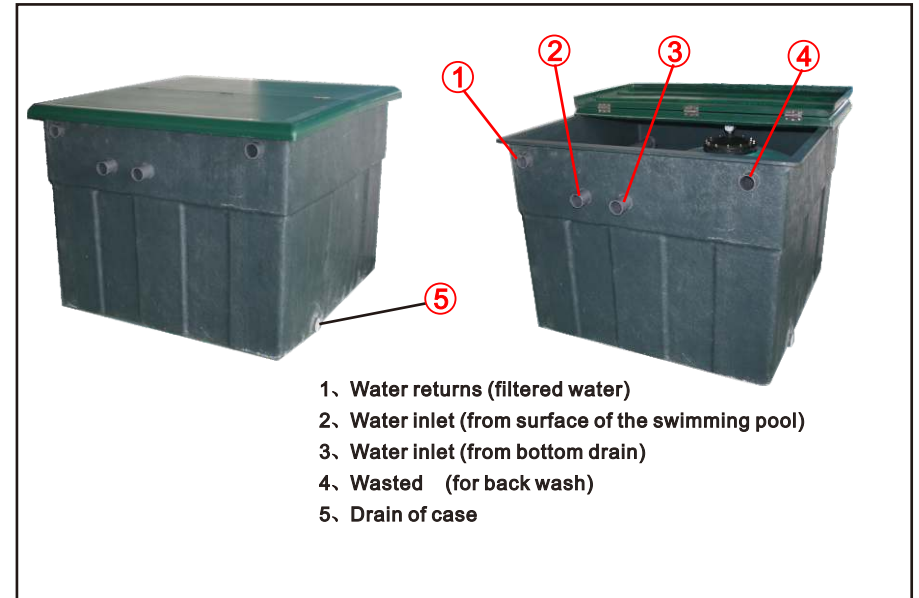
### ● Technical Parameters

Model	Length (cm)	Width (cm)	Height (cm)	Flow rate (lpm)	Port size (DN)	Weight (KG)
MIBS	118	125	95	270	40	52
MIBL	137	141	107	500	50	65

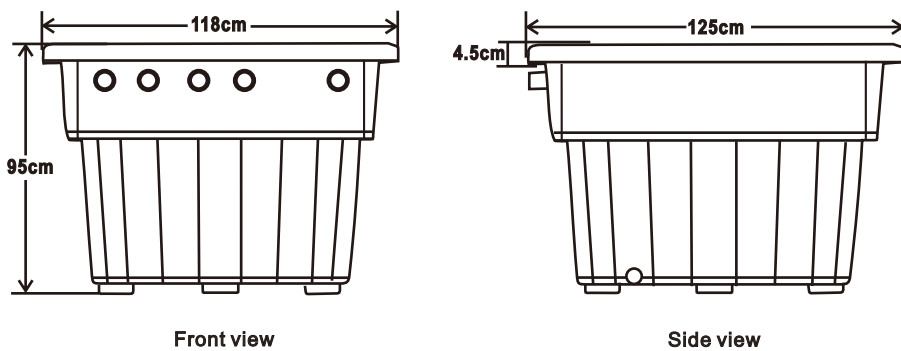
● Product Image (MIBS):



● Product Image (MIBL):



● External Chart (MIBS)



● External Chart (MIBL)

