

Features & Advantages



Multi-fit Union



- **Ultra Quiet Operation** - MINDERSPEED™ pumps are so quiet that you may not even notice it is running. It is rated at 61 dB at 1 meter distance.
- **Reliable** - Wet-end component is constructed from corrosion and UV resistant engineered plastic for long operation life. Built in over-heating and overloading protection.
- **Performance** - Unique AC bearing technology allows effective power delivery, resulting in optimum flow rate for quick water turnover.
- **Convenient** - Extra-large basket for long intervals between cleaning.
- All models come with 2" (Imperial) / 60mm (Metric) angle adjustable union. (Traditional Union is available by request)
- **Self** - priming at 2m

Warranty

Pump	2 years
O-ring and Mechanical Seal	1 year

MINDERSPEED™ PUMPS employ the latest AC bearing technology. It minimizes noise and vibration during operation and maximize durability and performance of the motor.

Operating Limits

Maximum water temperature	50 °C
Maximum Ambient Temperature	50 °C
Noise at 1 meter	65 dB

Application

- Domestic pools
- Small commercial pools
- Spa jet operation
- Solar pool heating
- Water features



Flow indicator & air relief valve

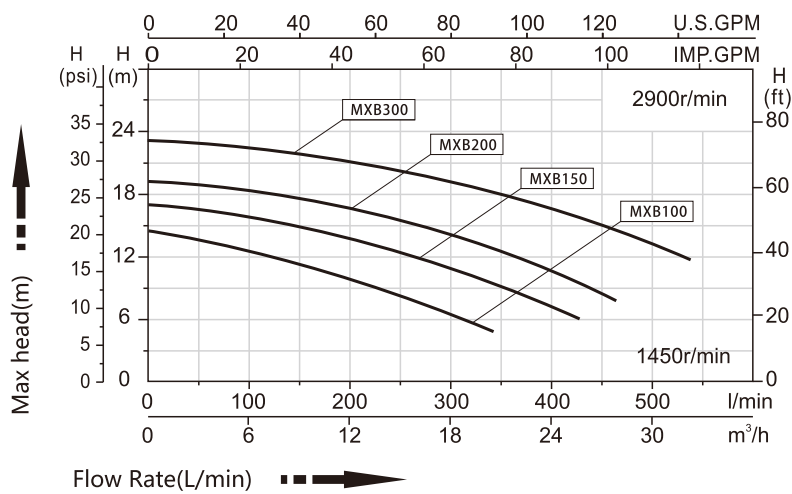


Chemical resistance pump body



Ultra-quiet induction motor

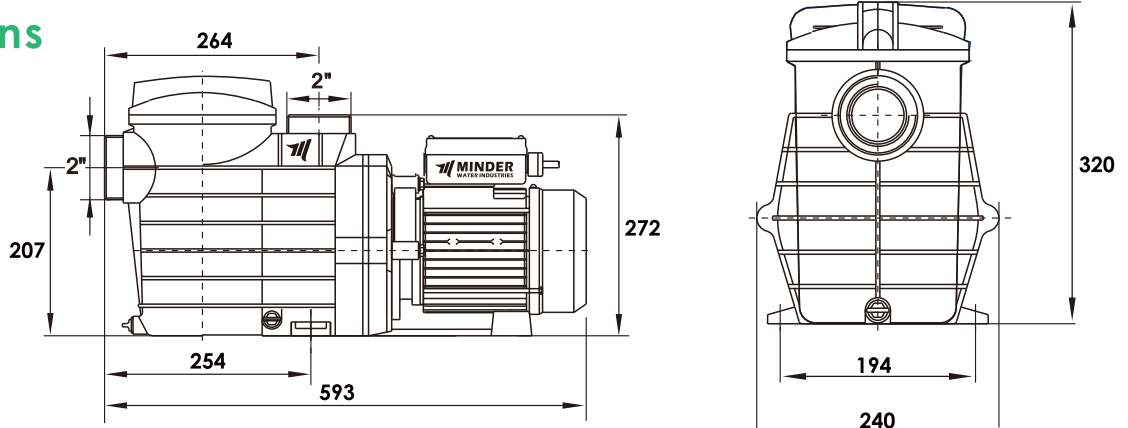
Specification



MODEL	CODE 50HZ	CONNECTIONS	VOLTAGE	PHASE	AMP	INPUT POWER	OUTPUT POWER	RPM
		INCH	V		A	kw	HP	
MXB100	90889	2.0"	220 - 240	1	3.8	0.75	1	2850
MXB150	90890		220 - 240	1	5.2	1.1	1.5	
MXB200	90891		220 - 240	1	7.0	1.5	2	
MXB200	90991		380 - 400	3	7.0	1.5	2	
MXB300	90892		220 - 240	1	10.0	2.2	3	
MXB300	90893		380 - 400	3	10.0	2.2	3	

MODEL	FLOW @ 6M HEAD	MAX WATER TEMPERATURE	MAX ENVIRONMENT TEMPERATURE	NOISE @ 1 METRE
	m ³ /h			dB
MXB100	16.2	50	50	62
MXB150	21.6			63
MXB200	26.1			65
MXB300	33.8			69

Dimensions



All specifications are only for reference. Actual product performance may vary. Product's colours and specifications are subject to change without prior notice.