

Features & Advantages

- Able to disinfect bacteria and other microorganism at 99.9% efficiency.
- Environmental friendly.
- Reduce chlorine consumption at 87%.
- Cost efficient PVC casing for better affordability of UV-lamp.

Warranty

UV lamp	1 year
---------	--------

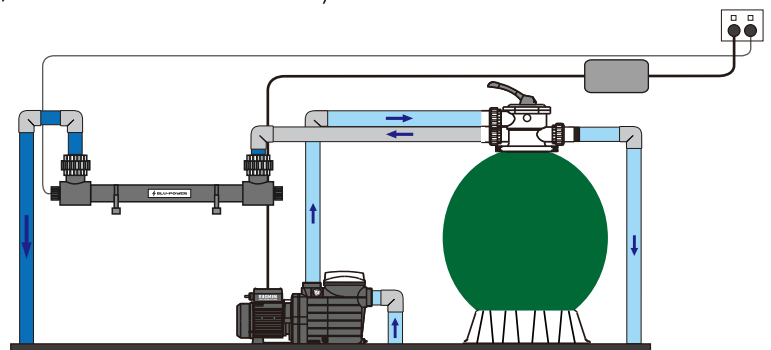
MINDER BP series UV lamp kills the bacteria and other microorganism in the water. It is one of the safest disinfection system for swimming pool. UV lamp is made from corrosion resistant engineered PVC, which is suitable for swimming pool installation. The high quality UV lamp last for 9,000 hours, with 95 efficiency that kills up to 99% bacteria. The product insulation class is IP68, which is durable and reliable.

Application:

Domestic pools, Commercial pools, Ponds, Drinking / Waste Water Treatment System.

Operating Limits

Maximum pressure	300kpa (3bar)
Lamp life	9000 hours
Voltage	220-240V
Frequency	50/60 Hz
Enclosure class	68



Specification

MODEL	CODE	MAX FLOW RATE	POWER OUTPUT	CONNECTION SIZE	PIPE DIAMETER	LENGTH
		m ³ /h	W	INCH	mm	mm
71063	BP5	5.7	33	2.0	3	786
71064	BP10	10.1	65		3	786
71065	BP15	15	85		3	946
71066	BP20	18.5	85		4	946
71067	BP25	23.7	120		4	1241
71068	BP35	37	120		4	988
71069	BP45	46	120		4	1288
71090	BP55	55	125		8	988
71091	BP90	88	225		8	1288

