



**M Series** filter is MINDER's innovative and cost-efficient design for domestic filtration system. The filter comes with top-mounted multiport valve and MINDER's special cross-winding bobbin-wound thread which provide more durable and long life to the filter body than other filter types in the market.



### Features & Advantages

- 100% factory tested according to international standard and MINDER improved standard.
- Easy to use durable 6-ways multiport valve fitted with angle adjustable union to prevent pipe breakage during handling.
- Materials used are dependable and suitable for all-weather performance.
- Dual layers fibreglass inner shell with UV resistant bobbin wound reinforced fibreglass surface allows the filter to work under direct sunlight.
- 5-10 years life-time.

### Warranty

Fittings	1 year
Filter Tank	1 year

### Operating Limits

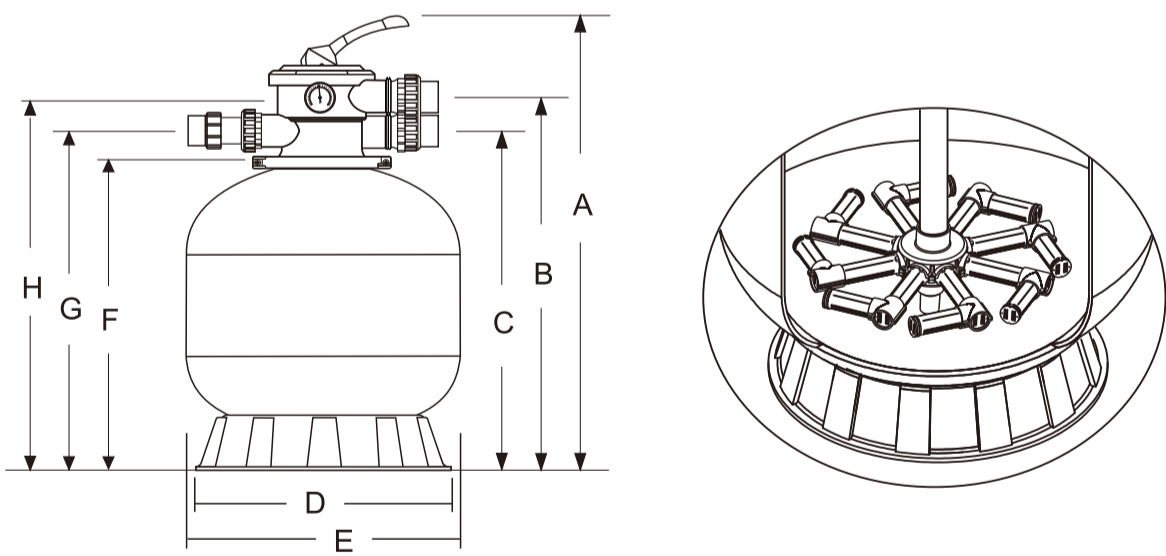
Model	2.5bar
Maximum water temperature	43 °C
Operating Pressure	2.5bar
Maximum Pressure	4.0bar

### Optional Components

- Filter Clean™ - Chemical Tablet Feeder.
- Vinyl-ester internal coating

### Specification

MODEL	CODE	MULTIPORT VALVE UNION SIZE		TANK Ø	FILTRATION AREA	DESIGNED VELOCITY	MAX FLOW RATE		MEDIA BED DEPTH	SILICA SAND (kg)	
		2.5bar	IMPERIAL	METRIC	mm	m <sup>2</sup>	m <sup>3</sup> /h/m <sup>2</sup>	m <sup>3</sup> /h	lpm	mm	1-2mm
V1.5 multiport valve with union size 1.5" / 50mm											
M14	70049				350	0.10		5	80	240	20
M16	70050				400	0.13		6	105	290	30
M18	70051		1.5"	50mm	450	0.16	48	8	133	300	40
M21	70052				550	0.24		12	192	340	85
M25	70054				650	0.33		16	270	400	155
M28	70056				700	0.38		19	320	460	210
V2.0 multiport valve with union size 2.0" / 63mm											
M25B	70055				650	0.33		17	290	400	155
M28B	70057				700	0.38		22	365	460	210
M30	70058				750	0.44		23	390	490	225
M32	70059				800	0.50		25	420	520	250
M36	70060		2.0"	63mm	900	0.64	48	30	500	600	350
M40	70061				1000	0.79		33	550	665	600
M44	70062				1100	0.95		38	630	730	900
M48	70063				1200	1.13		42	700	800	1150
M56	70064				1400	1.54		57	950	870	1800
V2.5 multiport valve with union size 2.5" / 75mm											
M40B	70647				1000	0.79		41	683	665	600
M44B	70648		2.5"	75mm	1100	0.95	48	50	833	730	900
M48B	70649				1200	1.13		59	975	800	1150
M56B	70650				1400	1.54		62	1033	870	1800



### Dimensions

MODEL	A	B	C	D	E	F	G	H
	mm							
V1.5 multiport valve with union size 1.5" / 50mm								
M14	680	550	490	330	346	431	490	550
M16	770	614	585	395	410	525	585	641
M18	810	674	614	395	454	558	614	674
M21	867	731	671	395	534	615	671	731
M25	967	831	771	490	635	715	771	831
M28	1017	863	783	490	700	775	831	891
V2.0 multiport valve with union size 2.0" / 63mm								
M25B	1027	891	831	490	635	717	783	863
M28B	1080	926	846	490	700	780	846	926
M30	1100	950	870	700	750	800	870	950
M32	1180	1026	946	700	820	880	946	1026
M36	1285	1131	1051	700	920	950	1051	1131
M40	1406	1252	1172	700	1016	1106	1172	1252
M44	1480	1350	1270	930	1092	1210	1270	1340
M48	1500	1450	1370	930	1210	1310	1370	1400
M56	1615	1565	1485	1200	1404	1425	1485	1575
V2.5 multiport valve with union size 2.5" / 75mm								
M40B	1376	1265	1173	700	1016	1106	1173	1265
M44B	1480	1369	1277	930	1092	1210	1277	1369
M48B	1580	1469	1377	930	1210	1310	1377	1469
M56B	1695	1584	1492	1200	1404	1425	1492	1584

All specifications are only for reference. Actual product performance may vary. Product's colours and specifications are subject to change without prior notice.