



MS Series filter is MINDER's innovative and professional design for domestic filtration system. The filter comes with side-mounted multiport valve and MINDER's special cross-winding bobbin-wound thread technology which provide more durable and long life to the filter body than other filter types in the market.

Features & Advantages

- 100% factory tested according to international standard and MINDER improved standard.
- Automatic air release valve enables automatic release of trapped air during filter operation or negative pressure during water drain.
- Easy to use durable 6-ways multiport valve fitted with angle adjustable union to prevent pipe breakage during handling.
- Materials used are dependable and suitable for all-weather performance.
- Dual layers fiberglass inner shell with UV resistant bobbin wound reinforced fiberglass surface allows the filter to work under direct sunlight.
- 5-10 years life-time.

Warranty

Fittings	1 year
Filter Tank	1 year

Optional Components

- Nozzle collection system
- Filter Clean™ - Chemical Tablet Feeder.
- Vinyl-ester internal coating

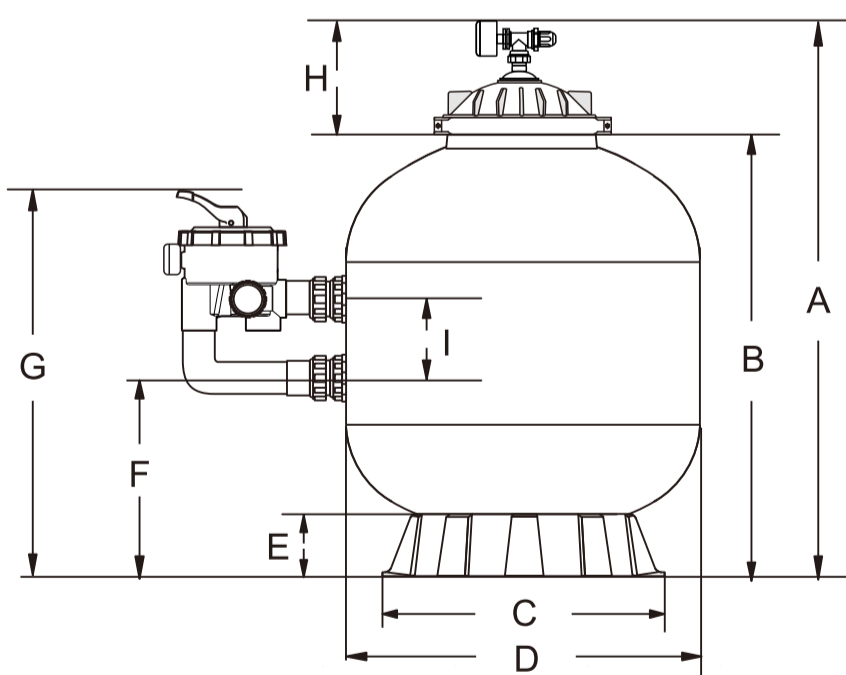


Operating Limits

Model	2.5bar
Maximum water temperature	43 °C
Operating Pressure	2.5bar
Maximum Pressure	4.0bar

Specification

MODEL	CODE	MULTIPORT VALVE UNION SIZE		TANK Ø	FILTRATION AREA	DESIGNED VELOCITY	MAX FLOW RATE		MEDIA BED DEPTH	SILICA SAND (kg)	
		2.5bar	IMPERIAL	METRIC	mm		m ²	m ³ /h/m ²	m ³ /h	lpm	mm
VS1.5 multiport valve with union size 1.5" / 50mm											
MS18	70065		1.5"	50mm	450	0.16	48	8	133	300	40
MS21	70066				550	0.22		12	200	340	85
MS25	70067				650	0.33		16	267	420	155
MS28	70068				700	0.38		19	317	460	210
VS2.0 multiport valve with union size 2.0" / 63mm											
MS25B	70652		2.0"	63mm	650	0.33	48	18	325	420	155
MS28B	70069				700	0.38		20	333	460	210
MS30	70070				750	0.44		23	390	485	225
MS32	70071				800	0.50		25	417	500	250
MS36	70072				900	0.64		30	500	570	350
MS40	70073				1000	0.79		33	550	610	600
MS44	70074				1100	0.98		38	633	660	900
MS48	70075				1200	1.13		42	700	710	1150
MS56	70076				1400	1.54		57	950	810	1800
VS2.5 multiport valve with union size 2.5" / 75mm											
MS40B	70653		2.5"	75mm	1000	0.79	48	41	683	610	600
MS44B	70654				1100	0.98		50	833	660	900
MS48B	70655				1200	1.13		58	967	710	1150
MS56B	70656				1400	1.54		62	1033	810	1800



Dimensions

MODEL	A	B	C	D	E	F	G	H	I	
	mm									
VS1.5 multiport valve with union size 1.5" / 50mm										
MS18	693	538	395	454	75	239	635	155	125	
MS21	757	602	395	541	90	254	576	155	125	
MS25	858	703	490	635	90	310	634	155	125	
MS28	888	733	490	705	90	350	675	155	125	
VS2.0 multiport valve with union size 2.0" / 63mm										
MS28B	908	733	490	705	90	322	744	175	195	
MS30	970	755	700	750	125	350	772	175	195	
MS32	1053	878	700	821	125	361	786	175	195	
MS36	1225	1050	700	921	125	405	846	175	195	
MS40	1243	1068	700	1016	150	475	900	175	195	
MS44	1315	1140	930	1092	150	530	960	175	195	
MS48	1415	1240	930	1210	170	635	1065	175	195	
MS56	1590	1415	1200	1404	200	635	1065	175	195	
VS2.5 multiport valve with union size 2.5" / 75mm										
MS40B	1243	1068	700	1016	150	475	864	175	195	
MS44B	1315	1140	930	1092	150	530	919	175	195	
MS48B	1415	1240	930	1210	170	635	1024	175	195	
MS56B	1590	1415	1200	1404	200	635	1024	175	195	

All specifications are only for reference. Actual product performance may vary. Product's colours and specifications are subject to change without prior notice.