



GS Series filter is MINDER's Innovative and elegant design for domestic filtration system. The series comes with side-mounted multiport valve with either 1.5" or 2.0".



Features & Advantages

- 100% factory tested according to international and MINDER improved standard.
- Automatic air release valve enables automatic release of trapped air during filter operation or negative pressure during water drain.
- Easy to use durable 6-ways multiport valve fitted with angle adjustable union to prevent pipe breakage during handling.
- Materials used are dependable and suitable for all-weather performance.
- Dual layers fibreglass inner shell with UV resistant gel-coated surface allows the filter to work under direct sunlight.
- 5-10 years life-time.

Operating Limits

Model	2.5bar
Maximum water temperature	43 °C
Operating Pressure	2.5bar
Maximum Pressure	4.0bar

Warranty

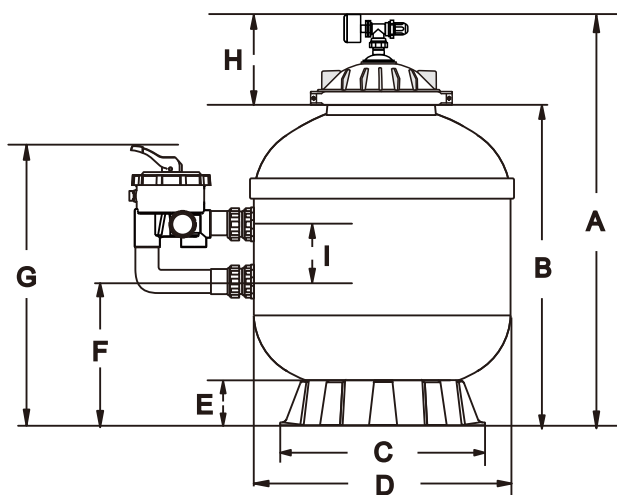
Fittings	1 year
Filter Tank	1 year

Optional Components

- Filter Clean™ - Chemical Tablet Feeder.
- Vinyl-ester internal coating.

Specification

MODEL	CODE	MULTIPORT VALVE UNION SIZE		TANK Ø	FILTRATION AREA	DESIGNED VELOCITY	MAX FLOW RATE		MEDIA BED DEPTH	SILICA SAND (kg)	
		2.5bar	IMPERIAL	METRIC	mm		m ²	m ³ /h/m ²	m ³ /h	lpm	mm
VS1.5 multiport valve with union size 1.5" / 50mm											
GS18	70117		1.5"	50mm	450	0.16	48	8	133	300	40
GS21	70118				550	0.22		12	200	340	85
GS25	70119				650	0.33		16	267	420	155
GS28	70120				700	0.38		19	317	460	210
VS2.0 multiport valve with union size 2.0" / 63mm											
GS28B	70736		2.0"	63mm	700	0.38	48	20	333	460	210
GS32	70122				800	0.50		25	417	500	250
GS36	70123				900	0.64		30	500	570	350
GS40	70737				1000	0.79		33	550	610	600



Dimensions

MODEL	A	B	C	D	E	F	G	H	I	
	mm									
VS1.5 multiport valve with union size 1.5" / 50mm										
GS18	693	538	390	454	75	239	564	155	125	
GS21	757	602	497	541	90	254	576	155	125	
GS25	858	703	497	621	90	310	634	155	125	
GS28	888	733	497	705	90	350	675	155	125	
VS2.0 multiport valve with union size 2.0" / 63mm										
GS28B	908	733	497	705	90	322	744	175	195	
GS32	1053	878	714	821	125	361	786	175	195	
GS36	1225	1050	714	921	125	405	846	175	195	
GS40	1243	1068	720	1016	150	475	900	175	195	