

**UF-MS SERIES
BEAD FILTER**



Minder brand bead filters two goals. One being water polishing (solids capture) and the other being bio filtration. Other filtration systems also can accomplish these goals, but are much larger and more difficult to clean.

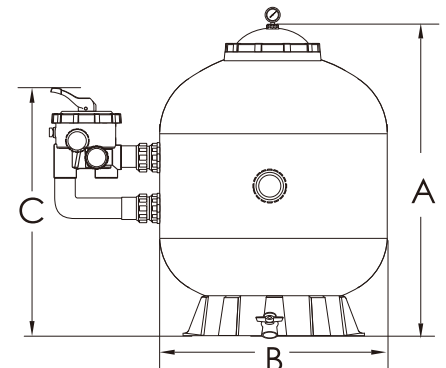
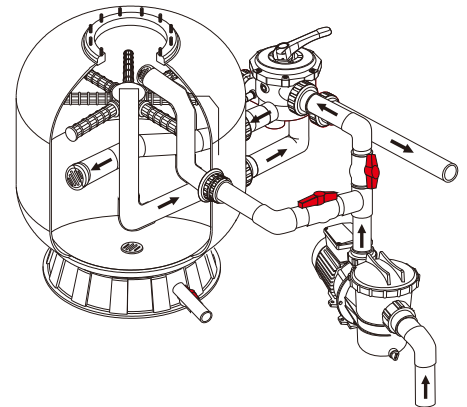
UNIQUE FILTRATION SYSTEM

Mechanical Filtration

Mechanical Filtration or clarification is the process of removing suspended solids from water.

Bio Filtration

Bead Filters are easier to clean when compared to other filters. This makes the hobby of KOI or Pond keeping much more enjoyable, with less work involved, especially in maintaining a healthy environment for the fishes.



Specification

MODEL	CODE	MULTIPOINT VALVE UNION SIZE		A	B	C	FILTRATION AREA	DESIGNED VELOCITY	MAX FLOW RATE		FORM BEAD
		2.5bar	IMPERIAL						METRIC	m ³ /h	
VS1.5 multiport valve with union size 1.5" / 50mm											
UF-MS 18	70077	1.5"	50mm	670	450	590	0.16	50	8	133	1
UF-MS21	70078			710	550	630	0.22		12	192	1.2
UF-MS25	70079			830	650	660	0.30		16	270	1.8
UF-MS28	70080			895	700	690	0.38		19	320	2.5
VS2.0 multiport valve with union size 2.0" / 63mm											
UF-MS28B	71048	2.0"	63mm	895	700	750	0.38	50	20	333	2.5
UF-MS30	70081			1000	750	800	0.44		23	390	4
UF-MS32	70082			1030	800	900	0.50		25	420	5
UF-MS36	70083			1130	900	930	0.64		30	500	7.5
UF-MS40	70084			1230	1000	930	0.79		40	667	10
UF-MS48	71057			1310	1200	990	1.13		57	950	12
VS2.5 multiport valve with union size 2.5" / 75mm											
UF-MS36B	71761	2.5"	75mm	1130	900	930	0.64	50	32	533	7.5
UF-MS48B	71762			1310	1200	990	1.13		59	983	12

Silica Sand data are only for references as sizes used in different cases image in the catalogue are only for references. Images in catalogue are only for reference, please refer to the actual product. Sand Filter cannot work under the pressure below zero.